

20 x 7 DOTS

DATA SHEET

- ❖ Two Alphanumeric Characters.
- ❖ Scrolling Arrows.
- ❖ Binary or Gray Signalling.
- ❖ Active high or Active low inputs.
- ❖ Scrolling messages.
- ❖ Buzzer.
- ❖ Field Programmable.

Description

The DOTLT is a Dot Matrix Alphanumeric Position Indicator for elevators that can be used to display position, as well as direction, and programmed messages. The display characters and arrow can be configured to be static or scrolling.

The DOTLT can be programmed by the user on site, or in the laboratory, by a handheld programming tool. Multiple DOTLT units can be programmed simultaneously even while installed without disassembling them.

The following scrolling messages are available as standard (See the Table -1):

1. Elevator overloaded.
2. Elevator out of service.
3. Evacuation control.
4. Fire control.
5. Car preference.
6. Maintenance operations.
7. Doors closing.

An on board buzzer is included to sound an audible alarm with desired messages, or act as a passing chime. The dot matrix comes only in red.

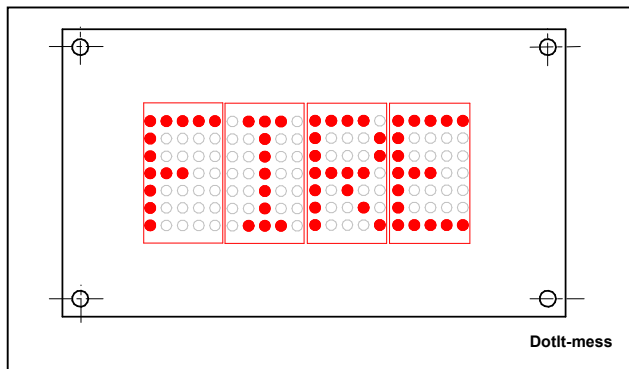
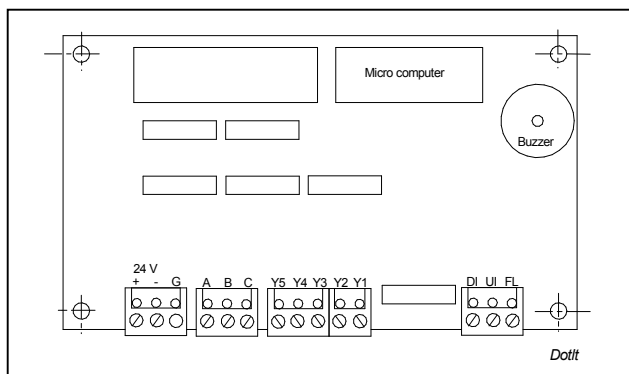
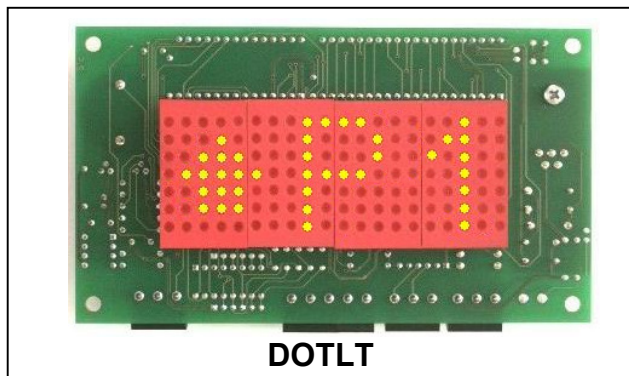
Wire connection to DOTLT:

- Y1 ... Y5 : Binary or Gray combination for floor display selection.
 A,B,C : Selection of messages, active low. (See Table -1)
 DI : Down - direction indicator display.
 UI : Up - direction indicator display.
 FL : Arrow control, active low.

Display Modes*

Scrolling digits, Static arrow when UI/DI = Active
Scrolling digits, Static arrow when UI/DI = Active and FL = GND.
When both UI and DI = Active no arrow shows. (This is lantern mode.)
Scrolling digits, Static arrow when UI/DI = Active. Arrow starts scrolling when FL = GND.
Scrolling digits, Scrolling arrow when UI/DI = Active and FL = GND.

* Modes are programmed by handheld tool.



Messages

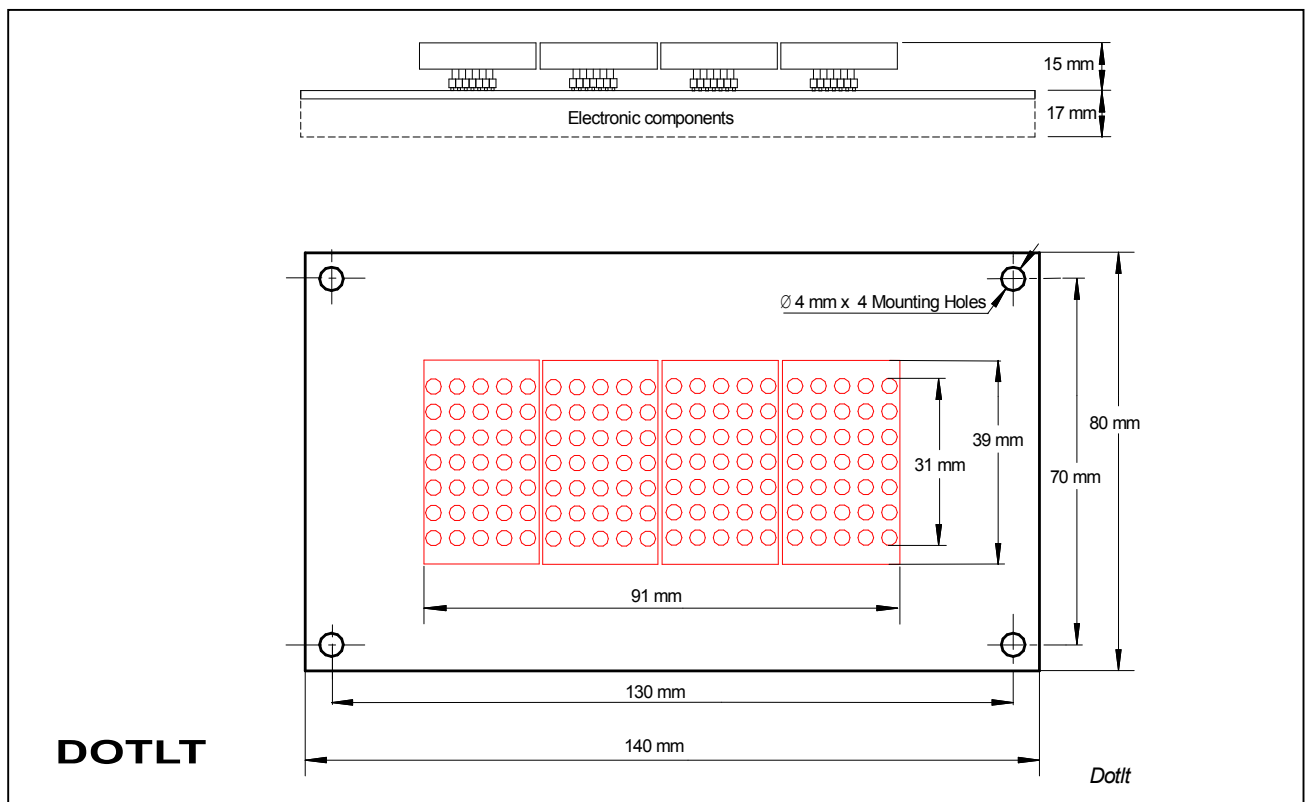
A	B	C	Description
-	-	-	--
-	-	0	Fire control.
-	0	-	Lift out of service.
0	-	-	Lift overloaded. **
-	0	0	Maintenance operations
0	-	0	Car preference.
0	0	-	Evacuation control. **
0	0	0	Doors closing.

** = Buzzer
 "-" = Left open
 "0" = GND

Table - 1

Specifications

Power supply	12 – 31V DC.
Current consumption	100mA – 240mA.
Signalling	5 wires, Y1 Y5 Binary or gray code.
Message selection	3 wires, A, B, C, Binary combination.
Arrow control	3 wires, UI, DI, FL.
Display	4 figure dot matrix (20 x 7 dots) 31mm height.
Input threshold, all inputs	0V DC - 6V DC = "0" 6V DC - 24V DC = "1", High Impedance.
Weight	130 gr.

**Ordering Information**

DOTLT	140mm x 80mm PCB.
-------	-------------------

Talinor (UK) reserves the right to change specifications without notice.

Talinor en PI DOTLT DS v1.01.doc