

Model : ANDIS

DATA SHEET

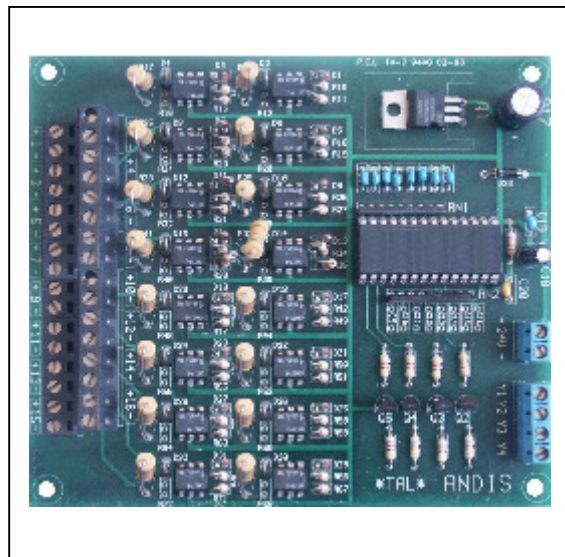
- ❖ Converts one wire per floor signals to Binary / Gray signals.
- ❖ Wide input voltage range, 24V - 110V.
- ❖ Optically isolated inputs.
- ❖ Four Binary/Gray outputs can be configured to active high or active low.
- ❖ Power supply 24V.

Description

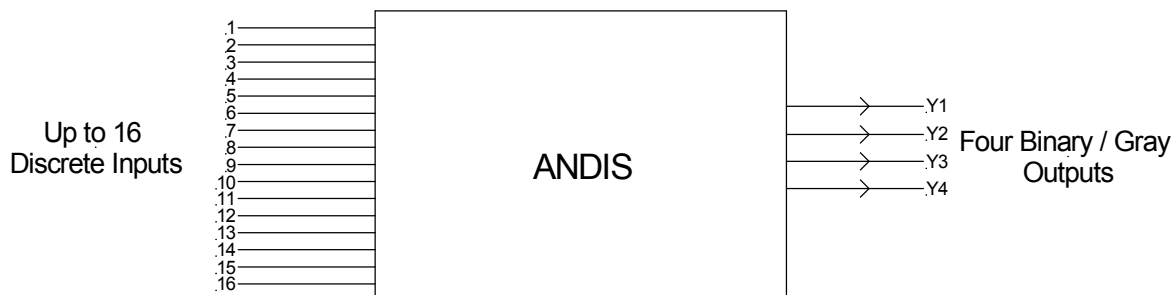
The ANDIS is designed to interface between lift controllers which provide one wire per floor signals to modern position indicators which work on Binary / Gray signals.

The inputs to the ANDIS are discrete signals 24 – 110V (voltage has to be specified in advance) and the outputs are four Binary / Gray outputs, designated Y1,...,Y4. The outputs can be configured to active high or active low.

The Binary / Gray outputs can drive position indicators. Voltage level of outputs is 24VDC.

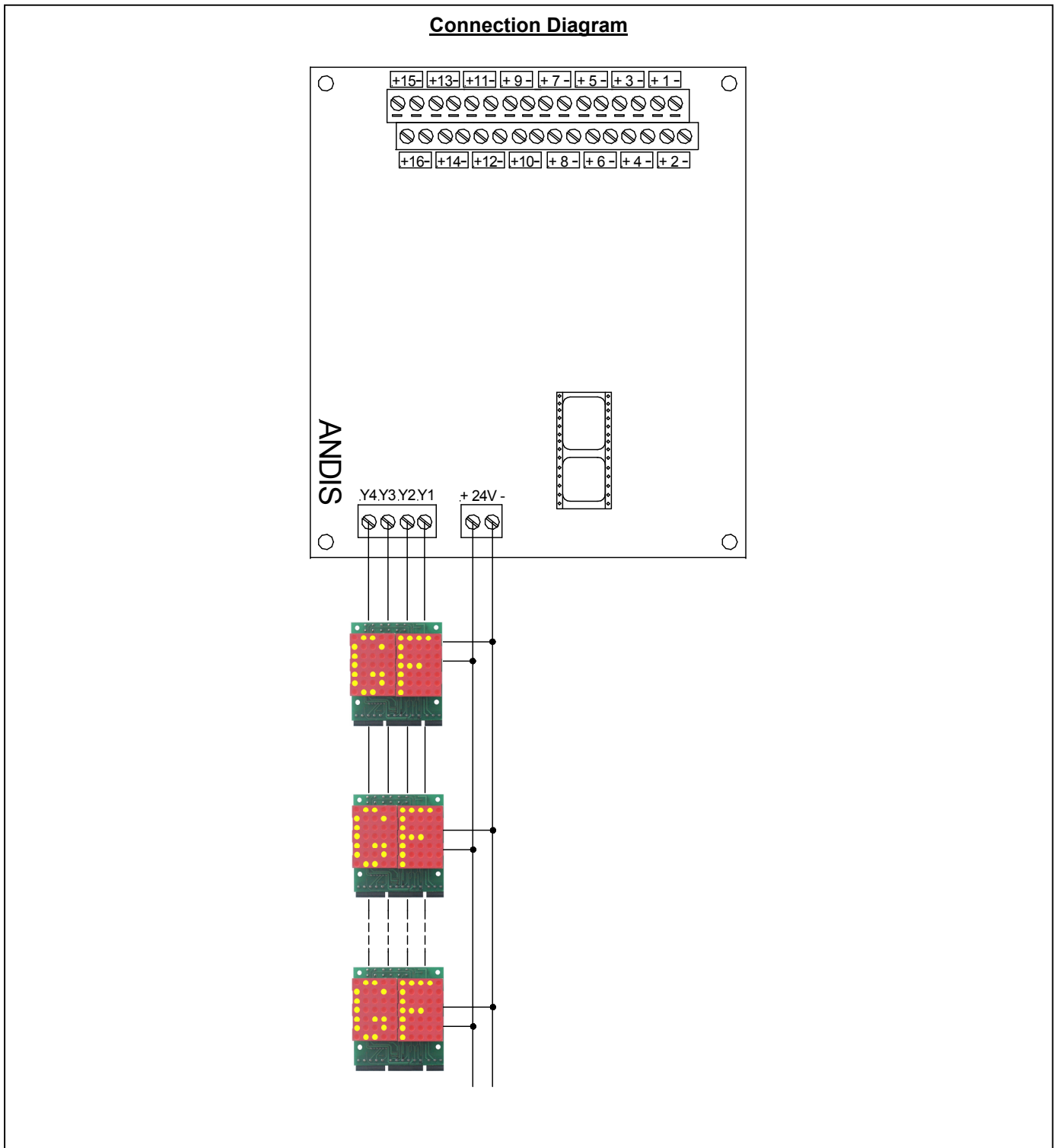


Input / Output Diagram



The inputs are optically isolated. The ANDIS is a microcomputer-based circuit. Therefore output code can be changed easily to any requested special code.

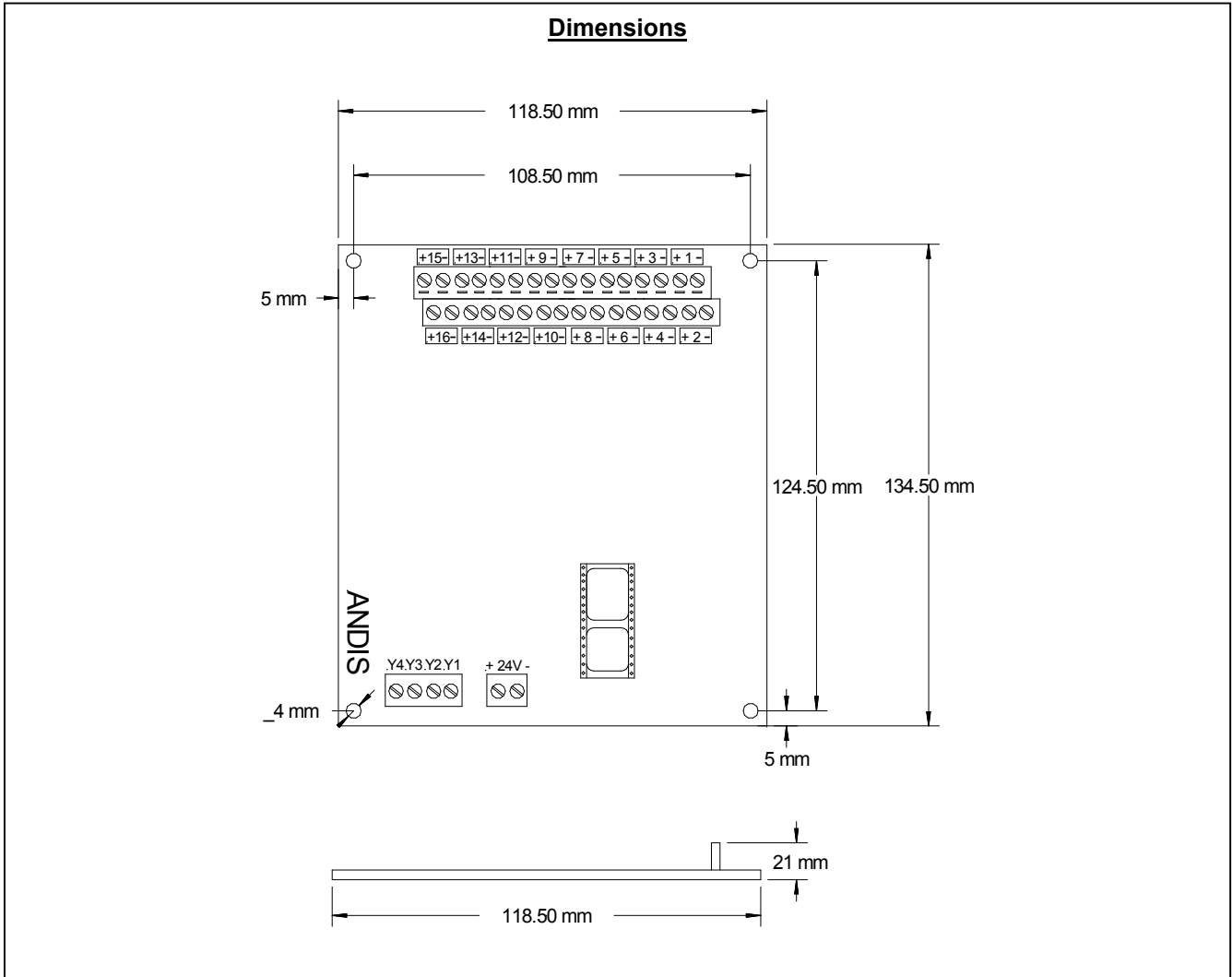
The ANDIS is wired as follows:



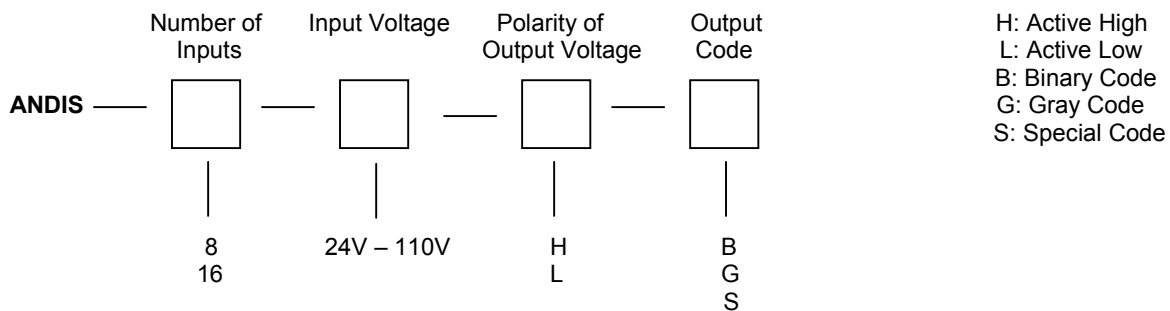
Position indicators are in the car and in the shaft. Since ANDIS has four binary outputs Y1,...,Y4, only 16 floors can be addressed.

Specification

Power Supply	24VDC.
Discrete Inputs	Up to 16 inputs, optically isolated any voltage between 24 – 110V. Specify required voltage with order.
Outputs	Four Binary / Gray outputs, active high or active low. Voltage level 24V. Specify if required active high or active low with order.



Ordering Information



Talinor (UK) Ltd. reserves the right to change specifications without notice

Talinor en Peripherals ANDIS DS v1.01 .doc