

**MODEL : PHANB**

**DATA SHEET**

- ❖ Operation range up to 4.5m.
- ❖ Unaffected by misalignment.
- ❖ Operates at full sunlight (not direct sunlight).
- ❖ Solid state relay output, with short circuit protection
- ❖ Easy snap-in mounting.

**Description**

The PHANB is a single IR beam photocell designed for use in elevators for door protection.

The unit consists two "eyes", Transmitter-Eye and Receiver-Eye. The eyes are usually mounted on the jambs.

When the IR beam is not interrupted, the output is activated (conducts). When the beam is interrupted the output is deactivated (dose not conduct).

The "eyes" may also be mounted on moving doors. The unit is not sensitive to the door movements during opening or closure.

The range of operation is 0 to 4.5m maximum.

**Response Time**

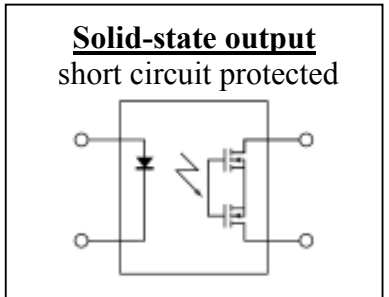
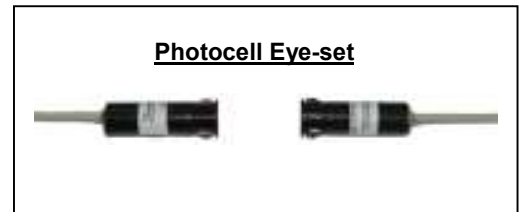
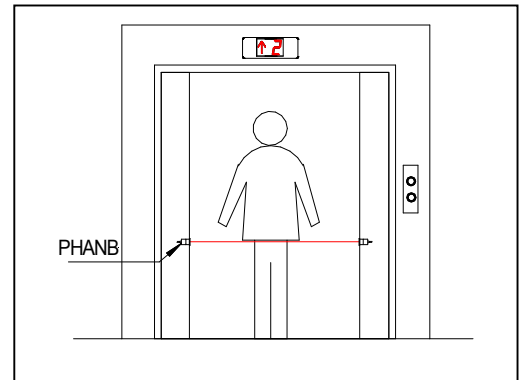
Response time of the PHANB is 40 ms max. If this photocell protects a typical door, which moves at a speed of 0.3m/s, and the beam is interrupted is, the door will move 15 mm, before the output will de-energise. User has to add time response of his system, which adds additional door travel before door stops.

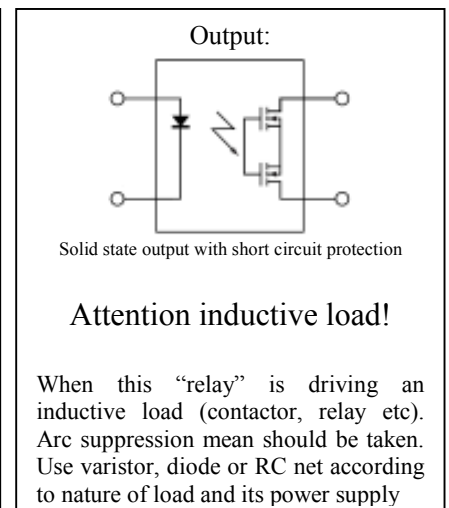
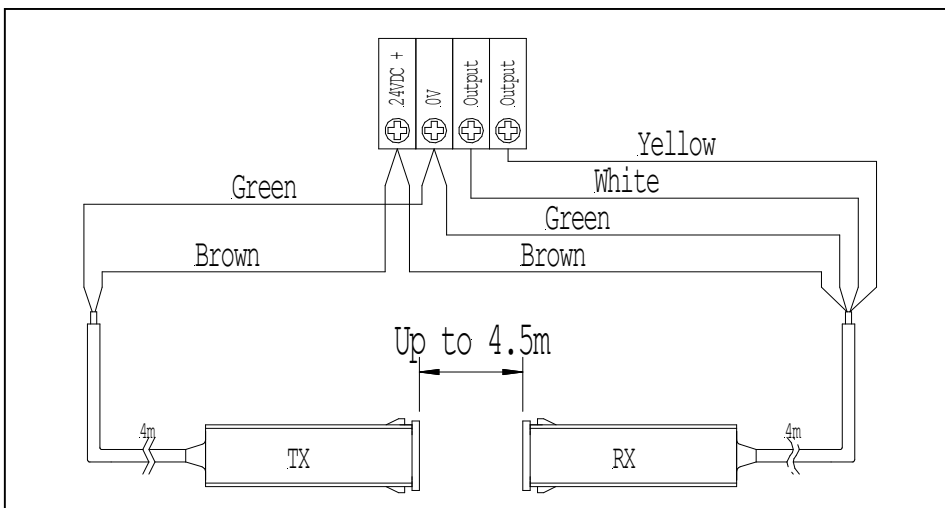
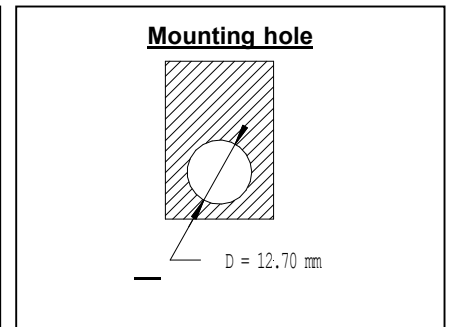
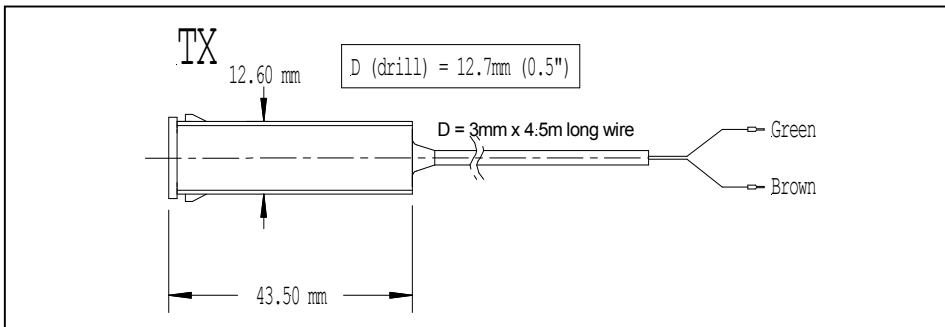
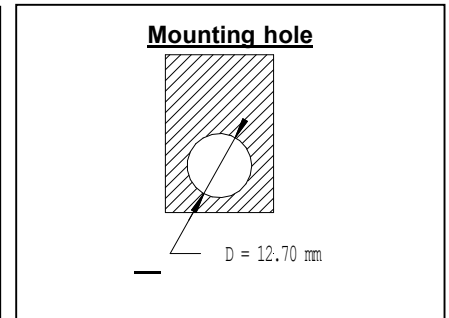
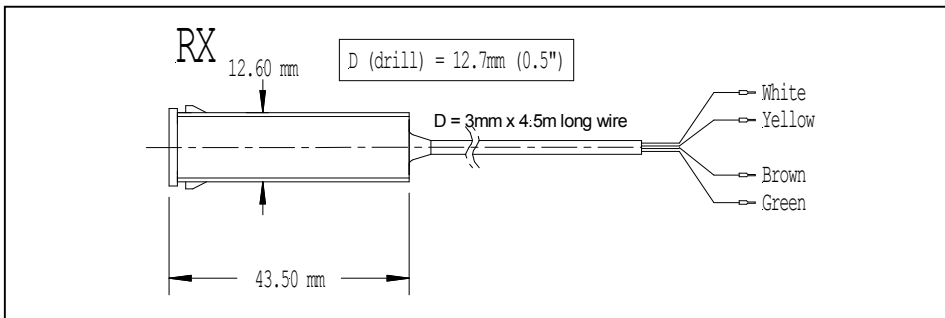
**Output**

The output of PHANB the is an optically isolated solid state relay, short circuit protected, with a maximum allowed voltage of 110V. In case a short circuit occurs the output will disconnect and stay disconnected. In order to put the unit back into service, turn off power to the unit and then turn it on back.

**Wire assignment**

<b><u>TX</u></b>	<b><u>RX</u></b>
Brown — + 12 - 31 VDC	Brown — + 12 - 31 VDC
Green — 0V	Green — 0V
	Yellow — 100V, 100mA max.
	White — 100V, 100mA max.





### Specifications

Power supply	12-31V DC 100mA max
Output	Solid state relay, 110V max. , 100mA max. Output isolation voltage: 1500V
Operating range	0 to 4.5m max.
Response time	40ms max.
Weight	200 gr.

### Ordering Information

Cat#: PHANB

### Limitation stations

The PHANB will not detect transparent objects and might not detect small objects or thin objects.

### WARNING

The output of the PHANB should not be connected to any part of a lift's safety chain.  
 The output of the PHANB should not be connected to a voltage exceeding 110V.  
 PHANB-single beam photocell is not a safety device (system) and must not be used as such.  
 PHANB is not designed for personnel safety, and must not be used as a stand-alone personnel safety system.