

MODEL : GONG-ST

DATA SHEET

- ❖ Arrival gong sounder for the landings.
- ❖ One strike for up direction, two strikes for down direction.
- ❖ Sound level adjusts.
- ❖ Sound intensity does not depend on speaker wire length (current source).
- ❖ Small size.
- ❖ Pluggable terminals.

Description

The GONG-ST is a small size arrival gong sounder for elevators. The GONG-ST is designed to drive a small speaker at the landing. The GONG-ST acts as a current source which means that sound intensity does not depend the on length of the wires to speaker. Level of sound is adjustable via "VOL" potentiometer. A delay of 3 seconds should be maintained between two successive strokes.

PIN Description

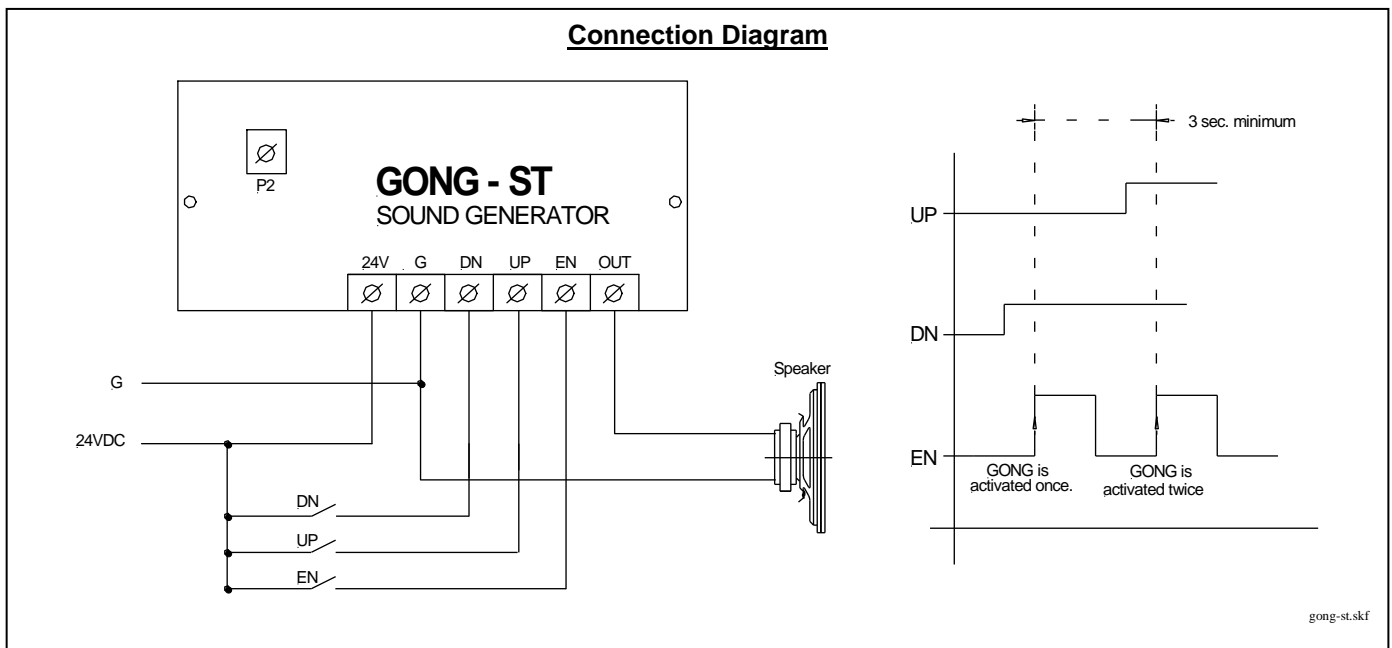
- 24V** : Power supply 24VDCm Nominal (24V rectified unfiltered).
- G** : Common of power supply.
- UP** : Up direction input, this input is activated by applying 24VDC to signalize GONG-ST that elevator is travelling in the up direction, to sound one strike.
- DN** : Down direction input, this input is activated by applying 24VDC to signalise GONG-ST that elevator is travelling in the down direction, to sound two strikes.
- EN** : Enable input, applying 24VDC to this input will cause GONG-ST to sound, if UP is activated it will sound once, if DOWN is activated it will sound twice.
- OUT** : Output for speaker



GONG-ST P.C.B.



GONG SPEAKER



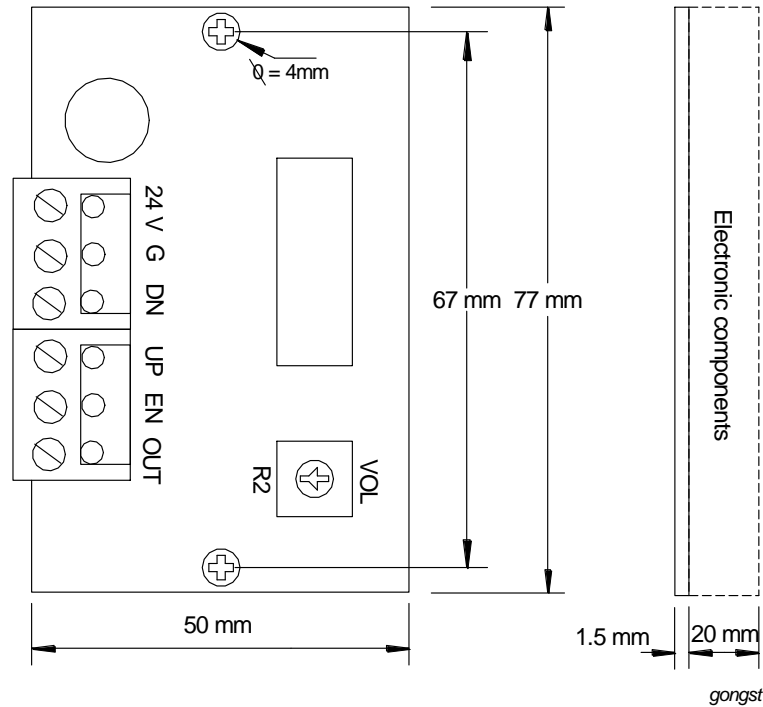
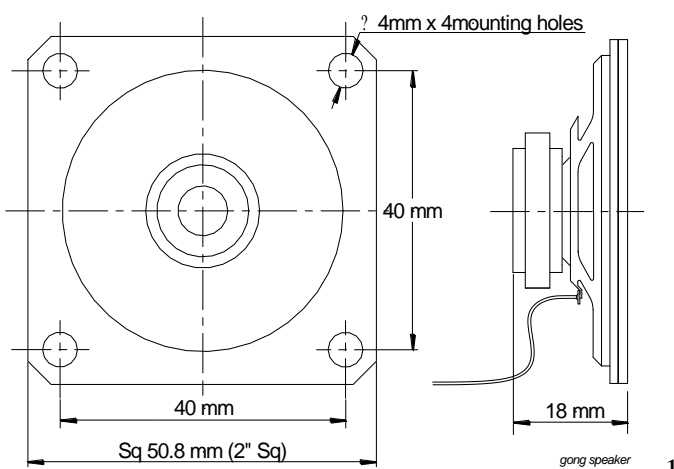
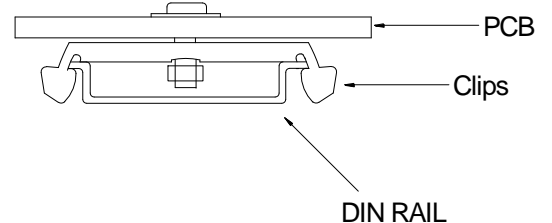
Dimensional Diagram**GONG SPEAKER**

Fig: 1

Mounting**Specifications**

Power supply	24DC (nominal). Max. 30V, 20mA with no load.
Output	0.4 Amp max. , Current source.
Speaker	8Ω, 0.5W.
Mounting	Din rail, plastic clips.
Sound	One strike for up direction, two strikes for down direction.
Unpacked weight PCB + speaker	0.085kg.

Ordering Information

GONG-ST	Gong Sound Generator.
SP01	8Ω, 0.5W speaker with mounting flange.

Talino (UK) Ltd. reserves the right to change specifications without notice.

Talino en Peripherals GONG-ST DS v1.01 .doc