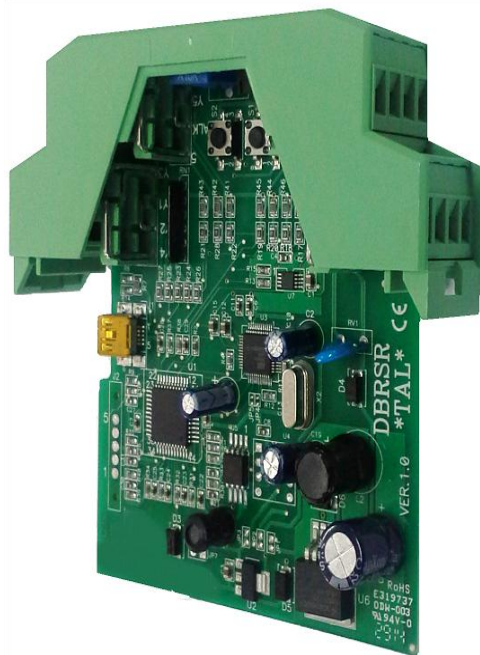


DBRSR Lift Voice Announcer



Features

- Clear sound quality. **[HI-FI]**
- Solid State Recording
- *.WAV files can be downloaded and parameters are programmed with WAVEPLAY.
- Binary, Binary Inverse, Gray Code, One Wire for Messages or Independent Device interfaces for any lift controller.
- Plays music or messages in WAV-file format (16 bit - 22 KHz).
- Programmable by Talinor PC Voice Loader Program.
- Up to 32 messages.
- Record time **180** sec. standard up to **700** sec optional.
- Programmable USB. **Power supply not needed.**
- Background music as an option
- Build-in Gong unit.
- Up to 6 auxiliary messages.

Description

The speech unit is a microcomputer based message enunciator for elevators.

There are two message lists used for different purposes:

1. Sequential messages for announcement on each floor.
2. Auxiliary messages for special announcements.

Messages can be edited and recorded via a PC, or on-site using a laptop, and then downloaded to the unit for playback.

Technical Information

| | |
|-------------------------|--|
| Logic Input levels | 0v < 5v, 10v > 32v. |
| Audio input level | 100 mV |
| Audio output level | 10W max. |
| Total recording time | 180 sec. standard up to 700 sec optional |
| Max single message time | 180 sec. standard up to 700 sec optional |
| Housing | Interface Module, or with no housing. |
| Package Dimension | 116mm x 100mm x 23mm |
| Contents of package | Speech Unit Module |

Specifications

Power Supply:

18-24VDCm

Current Consumption:

50mA

Inputs:

32V DC max

Messages :

- Inputs for 1-32 floors.
- 1-6 auxiliary messages can be selected.

Signalization:

- Binary Code
- Binary Inverse Code
- Gray Code
- One Wire for Messages
- Independent Device
- With/Without Talk
- Dedicated USB/PC Loader

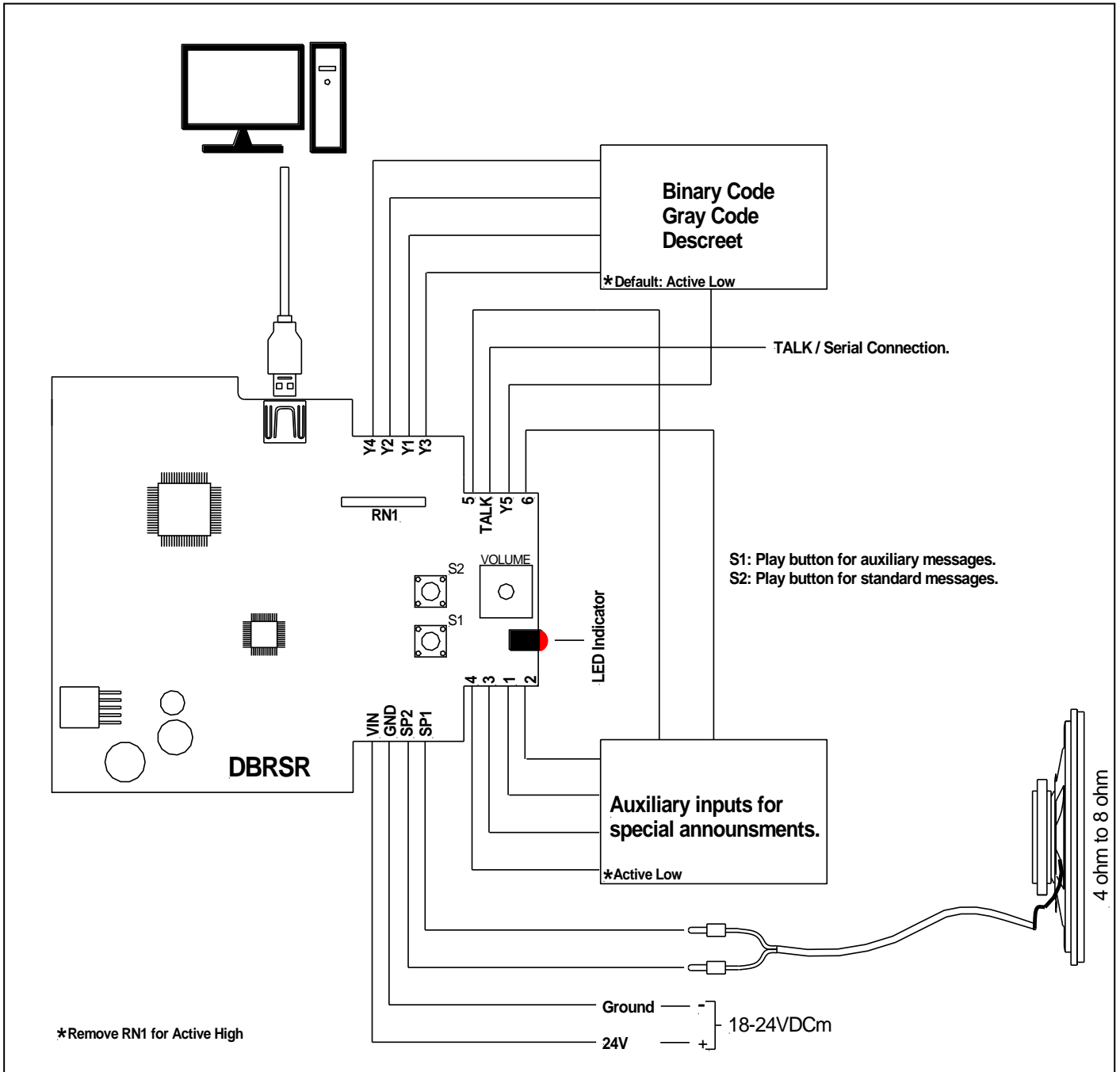
Packed Weight:

200 g.

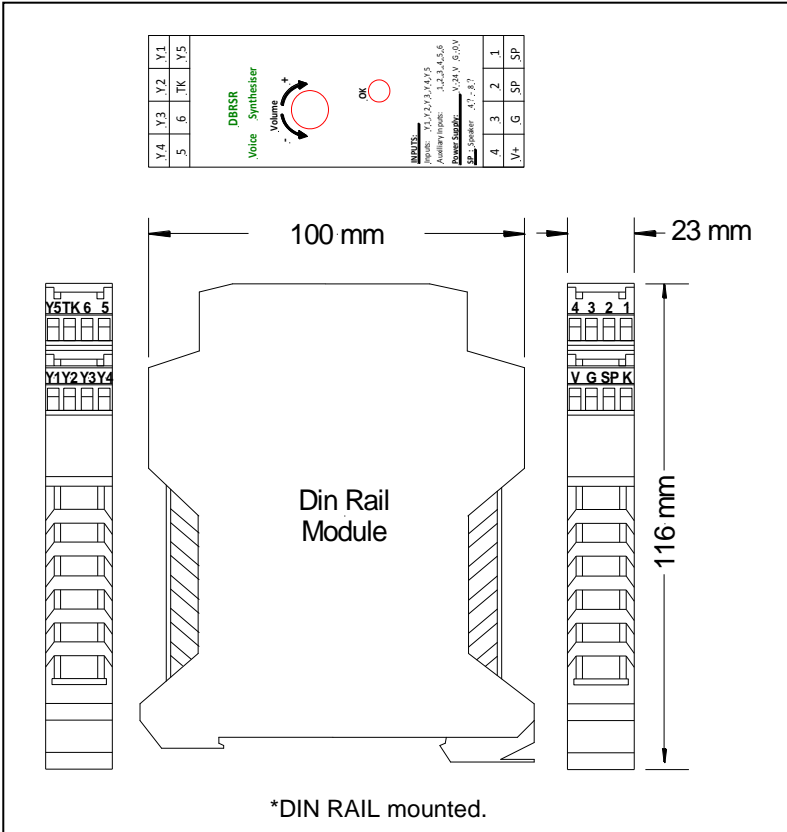
Advanced Features

- USB can be used **without** a need of an external power supply.
- Messages Signalization mode can be programmed by **Talinor PC Voice Loader Program**.

Connection Diagram

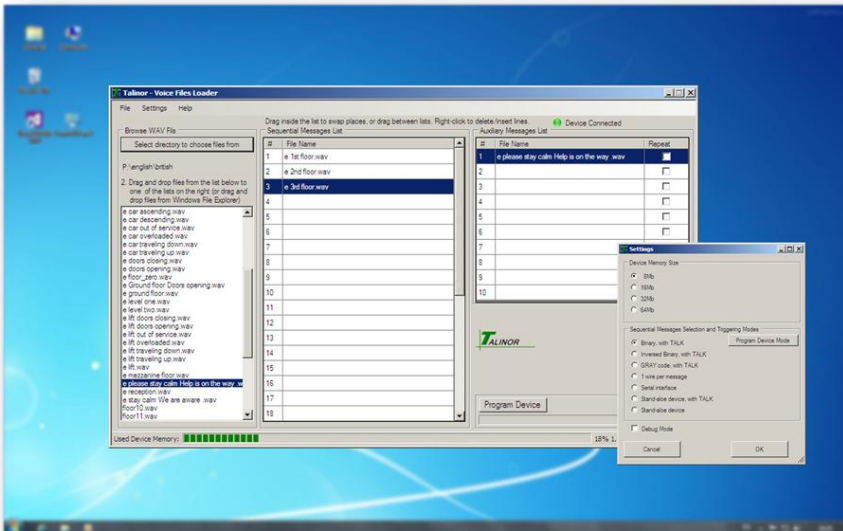


Dimensions



DBRSR PC Voice Loader Program

DBRSR PC Voice Loader can program the speech unit with only USB, without any need of a power supply.



- Signalization mode can be programmed by **Talinor PC Voice Loader Program**.

Ordering Information

DBRSR - Recording Time

- 180 Seconds
- 350 Seconds
- 700 Seconds

Talinor (UK) Ltd. reserves the right to change specifications without notice.

Talinor en Peripherals DBRSR