

## Model: **STD**

### DATA SHEET

- ❖ Soft Stopping Device for Elevator Doors.
- ❖ Solid State Device
- ❖ Simple Mounting
- ❖ Low Cost
- ❖ Replaces Mechanical Brakes
- ❖ No External Power Supply Required.



### Description

The STD is a braking device for door operators designed to slow down the motion of elevator doors at the end of the opening or closing cycle to create "SOFT" opening and closing motions and thus preventing potential impact damage.

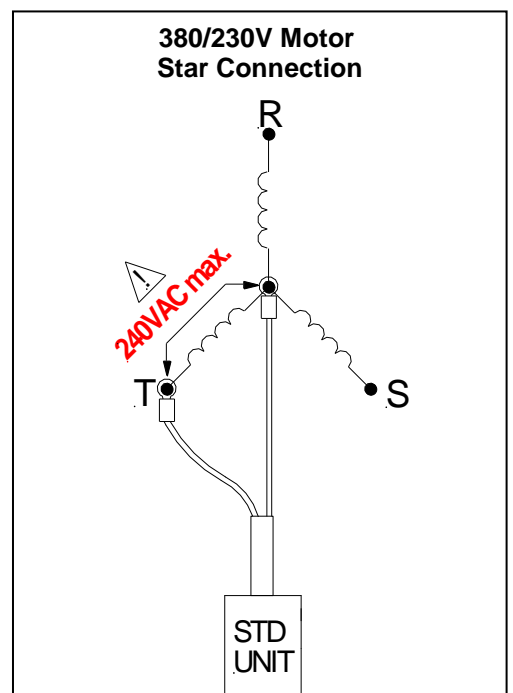
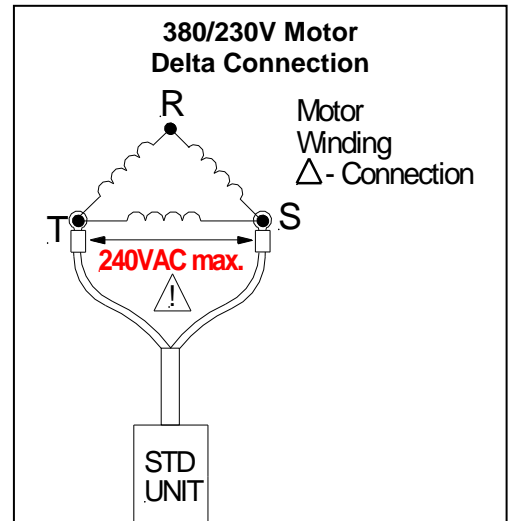
The STD is connected to the door operator motor terminals and works with 3 phase induction motors of any voltage from 3 X 127VAC to 3 X 415VAC. (Please refer to connection diagrams - Delta Connection, Star Connection.)

The STD is suitable only for non-VVVF door operators, in which the motor is not powered during lift parking nor lift run.

The STD contains no moving parts and is built only using solid-state components thus ensuring prolonged service life.

The STD brakes the motor by injecting DC current into the motor windings at the moment the power supply to the motor is cut. The DC current is provided by an internal capacitor.

The STD's most valuable usage is for lifts within which the door operator's mechanical brakes are beginning to wear meaning that more frequent adjustments are required.

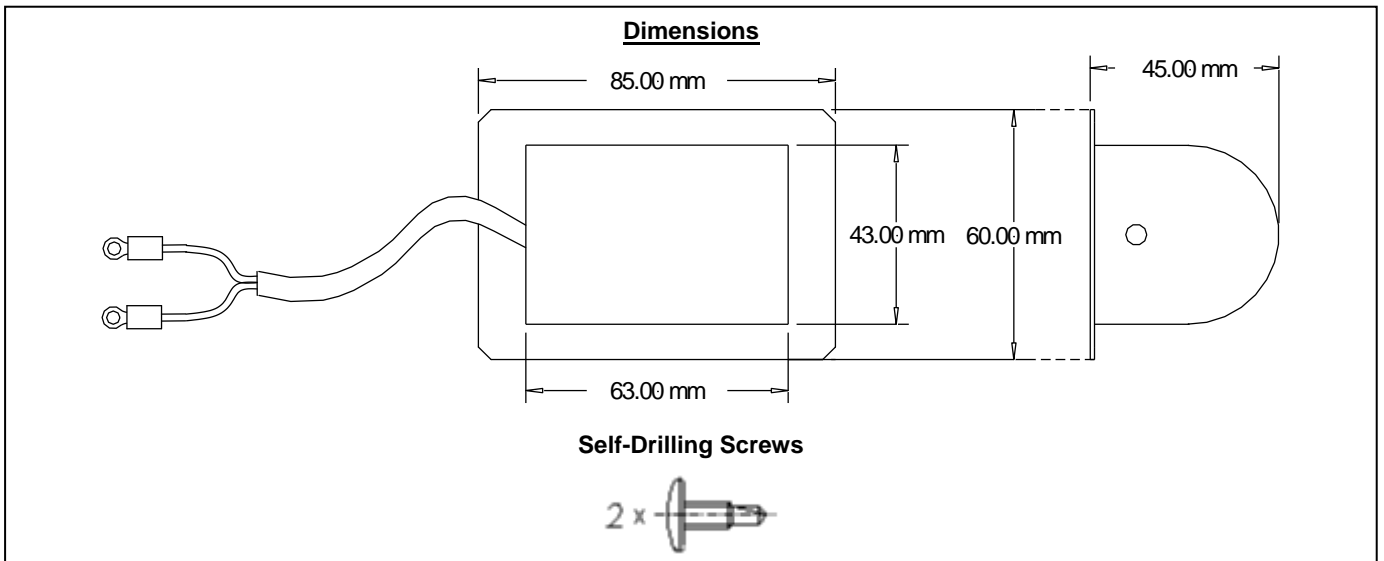


### Specifications

Max. Voltage Across Terminals	240VAC.
Injected DC Voltage	Maximum 350VDC.
Max. Injection Current	1A.
Cable Length	0.5m
Housing	Plastic Box
Weight	220gr
Mounting	Two self-drilling screws.

**How to connect the STD in different type of motors**

Motor Voltage	Motor in Star Connection	Motor in Delta Connection
3Φ, 380V – 415V		—
3Φ, 240V		
3Φ, 127V		



**Ordering Information**

Cat#: STD

Talinor (UK) Ltd. reserves the right to change specifications without notice.

Talinor en Peripherals STD DS v1.01.doc